

# M133WK

## 13.3" Intel® Core™ i5-8265U Ruggedized Tablet



### KEY FEATURES

- Intel® Core™ i5-8265U Whiskey Lake processor ruggedized tablet
- 13.3" 1920 x 1080 IPS wide viewing angle LED Panel
- Magnesium alloy housing with all-around elastomeric rubber
- Built-in kickstand usable as carrying handle(indefinitely adjustable)
- IP65 waterproof and dustproof
- Optical bonding technology
- TPM 2.0



### SPECIFICATIONS

Display			
<b>Resolution</b>	1920x1080	<b>Size</b>	13.3 inches
<b>Contrast Ratio</b>	1000:1	<b>Panel Brightness</b>	500.0 nits
<b>View Angles</b>	89,89,89,89	<b>Type</b>	Projected Capacitive Multi Touch
<b>Bonding</b>	Optical Bonding for Sunlight Viewability		
System Specification			
<b>Processor</b>	Intel Core i5-8265U 1.6GHz (up to 3.9GHz)	<b>Memory</b>	4GB SODIMM DDR4-2400 8GB SODIMM DDR4-2400 (Optional) 16GB SODIMM DDR4-2400 (Optional)
<b>Storage</b>	Storage 1: 1 x 128GB M.2 SSD Additional storage available with SDXC card slot Storage 1 up to 1x 1TB M.2 SSD (Optional) Storage 2 up to 1x 1TB M.2 SSD (Optional)	<b>Security</b>	Trusted Platform Module (TPM) 2.0 Kensington Lock
<b>Operating System</b>	Windows 10 IoT Enterprise LTSC (64 bit) Windows 11 IoT Enterprise SAC (64 bit) (Optional)	<b>WLAN</b>	Support
<b>BT</b>	Support	<b>WWAN</b>	4G LTE (Optional)
<b>GNSS</b>	GPS/GLONASS (Optional)		
Mechanical			
<b>Dimension</b>	338.2 x 240 x 30 mm (13.3 x 9.4 x 1.18 inches)	<b>Weight</b>	2.2kg (w/ kickstand)
<b>Cooling System</b>	Fanless thermal design		
IO Ports			
<b>USB Port</b>	4 x USB 3.0 Type A, 1 x USB 3.0 Type C	<b>SD Card Slot</b>	1 x SDXC Slot
<b>SIM Card Slot</b>	1 x Micro SIM card slot	<b>Audio</b>	2 x 1 watt speaker
<b>LAN</b>	1 x RJ45-10/100/1000 Mbps LAN	<b>Indicator</b>	4x LED Indicator for Power, Battery, SSD, RF status
<b>Docking Connector</b>	1 x Docking connector		
Environment			
<b>Operating Humidity</b>	30% to 80% RH, non-condensing	<b>Operating Temperature</b>	-10°C to 50°C (14°F to 122°F)
<b>Storage Temperature</b>	-20°C to 60°C (-4°F to 140°F)	<b>Shock</b>	MIL-STD-810G Method 516.6 Procedure I
<b>Vibration</b>	MIL-STD-810G Method 514.6 Procedure I	<b>IP rating</b>	IP65

Drop MIL-STD-810G Method 516.6, 4 ft

### Certification

Certification CE, FCC

### Security Function

Kensington Lock Kensington Lock Support

### Control

Button 1 x Power, 1 x menu, 2 x volume key  
3 x Programmable Function Keys

### Camera

Rear Camera 1 x 8MP Rear Camera with auto-focus and LED light (Optional)

### Power

Battery 15.4V, typ. 5900 mAh Li-Polymer Battery (4S1P)

Battery Operating Time More than 10 hours (BAPCo TabletMark v3)

Power Rating 19V DC

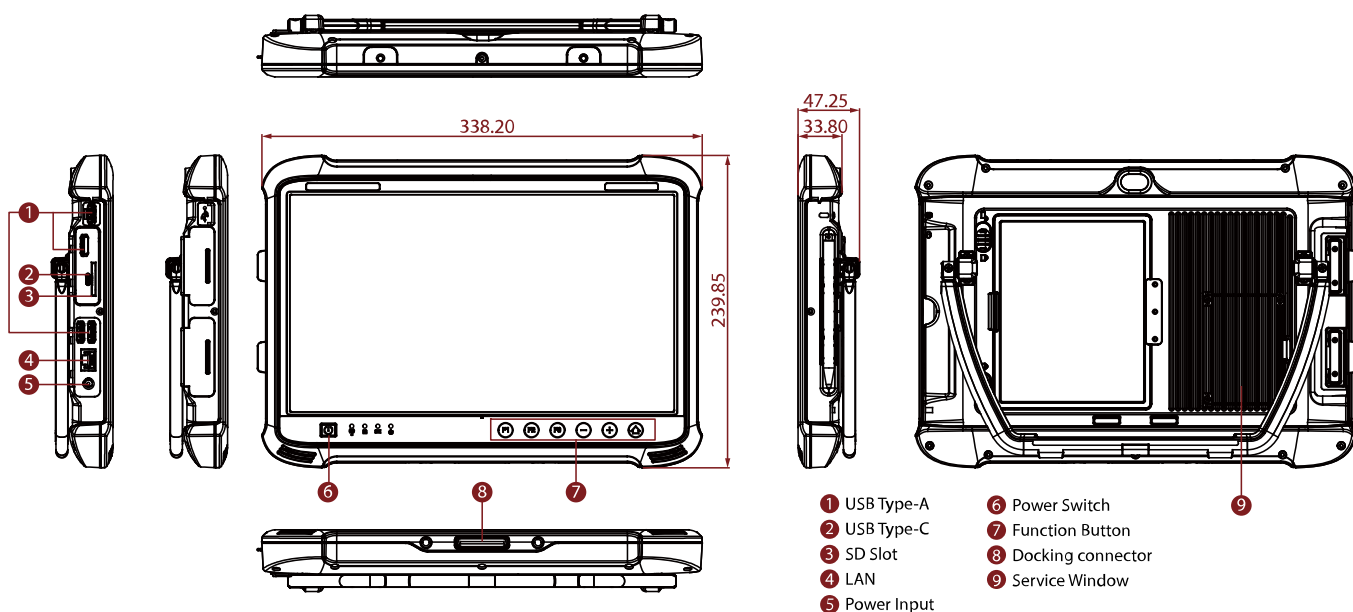
Adapter 100-240V, 50-60Hz / 19V DC

### Accessory

Accessory Adapter and Power Cord  
Standard Battery  
Stylus  
Stand with Integrated Handle

Optional Accessory Vehicle Charger (Optional)  
Battery Charger (Optional)  
Desk Docking (Optional)

## DIMENSIONS UNIT:MM



## NOTE

1. Total usable memory will be less dependent upon actual system configuration.
2. TPM 2.0 is available upon request.
3. Length measurements do not include protrusions. Weight varies with options.
4. Measured at dimming LCD brightness. Varies depending on the usage conditions, or when an external device is attached.
5. This is a simplified drawing and some components are not marked in detail.
6. The product shown in this datasheet is a standard model. For diagrams that contain customized or optional I/O, please contact the Winmate Sales Team for more information.